

FLEXIBLE LED WALL WASHER

Model: SE120JC3-G1212



Features

- 1) Revolutionary wall wash performance, giant improvement from a linear performance.
- 2) Wall wash space: up to 1 meter.
- 3) Multiple light-emitting angle: 30°/60°.
- 4) Multiple colors: 2700K/3000K/3500K/4000K/5000K/6500K.
- 5) Quick connection system with solderless accessories provided.
- 6) 3 years warranty.

Application

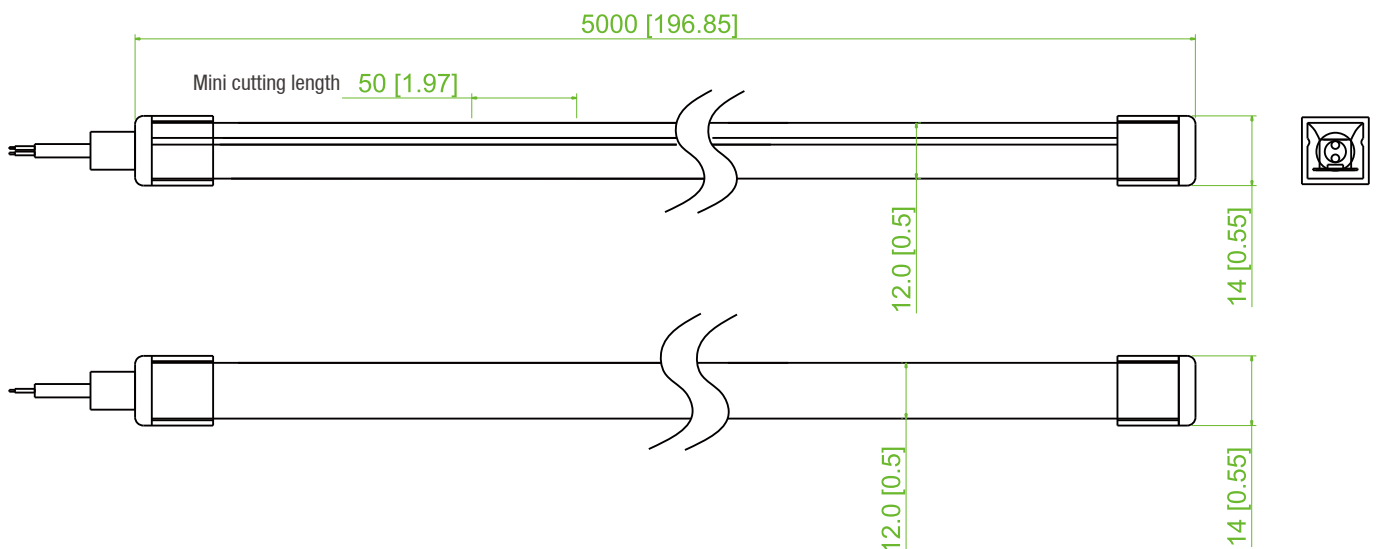
Up to 1M decorative wall washing, wildly beneficial for lighting designs.

Parameters

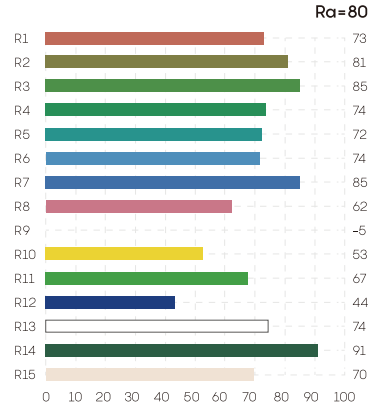
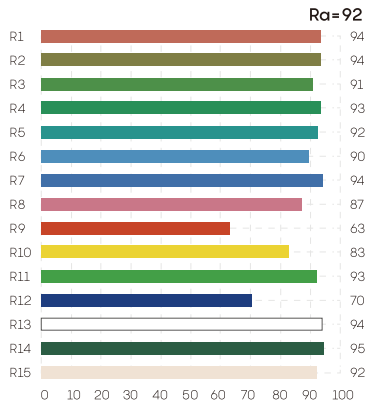
Part Number	SE120JC3-G1212	CRI	Color	CCT(K)	Beaming Angle	Luminous Flux (LM/M)	Efficacy (LM/W)
Dimensions	5000*12*12mm		WW	2700	≥30°/60°	500	50
LED Type	2835		WW	3000	≥30°/60°	500	50
LED Qty/m	120LEDs/m	90+	NW	4000	≥30°/60°	550	55
Voltage	DC24V		MW	5000	≥30°/60°	550	55
Input Current (A)	0.42A (1m)		W	6500	≥30°/60°	500	50
Power	10W/M	Remarks:					
Power Range	9~11W	1) Data are only for reference. The limit of tolerance is plus or minus 10%.					
Times of Power On and Off	>10000 Times	2) Testing standards refer to IES LM-79-08.					
IP Grade	IP65	2) When CRI>90, the luminous flux will be 20% lower than when CRI80.					
		3) When power is over 14W/M, the aluminum profile is necessary.					

Dimension

Unit: mm/inch



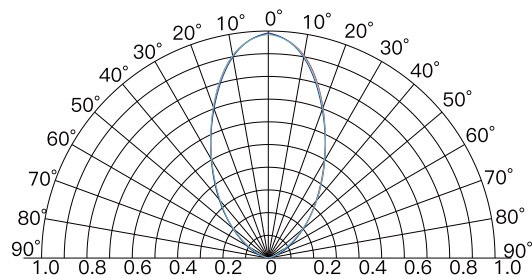
Rendering Index Comparison



Provide Full CCT Range From 2700K to 6500K

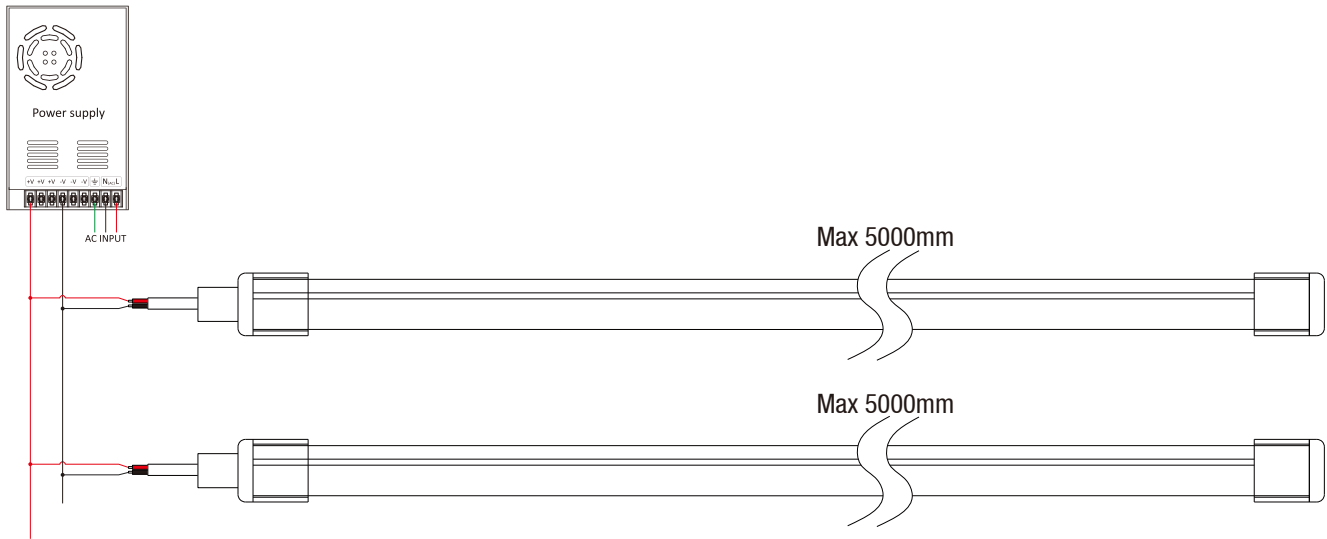


Beaming Angle



beaming angle 30°

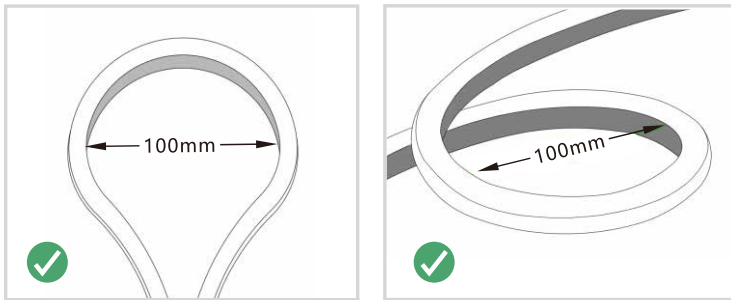
Wire Connection



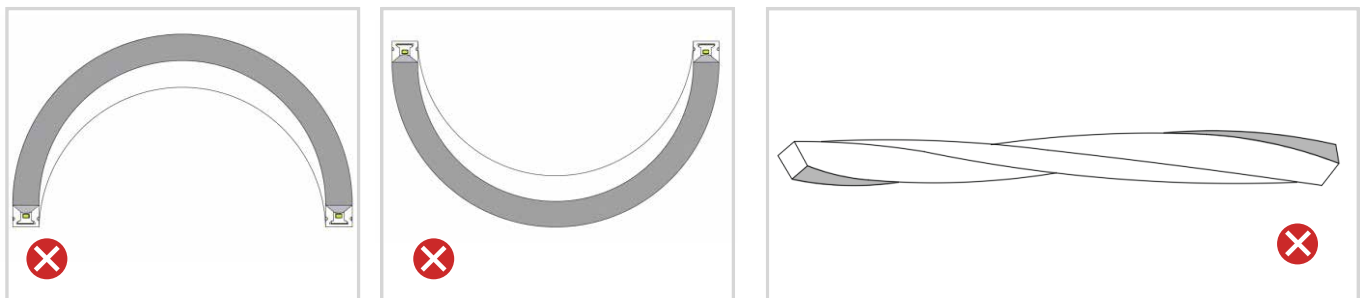
Bending Direction

Please note when installing the strip, not all directions can be bent, bending shape, bending diameter size and direction, please follow the legend below to avoid damage to the LED strip.

Correct Way to Bend

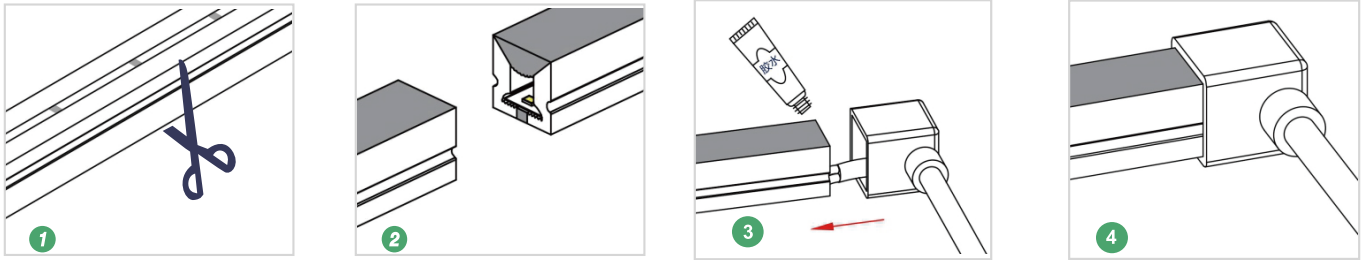


Wrong Way to Bend

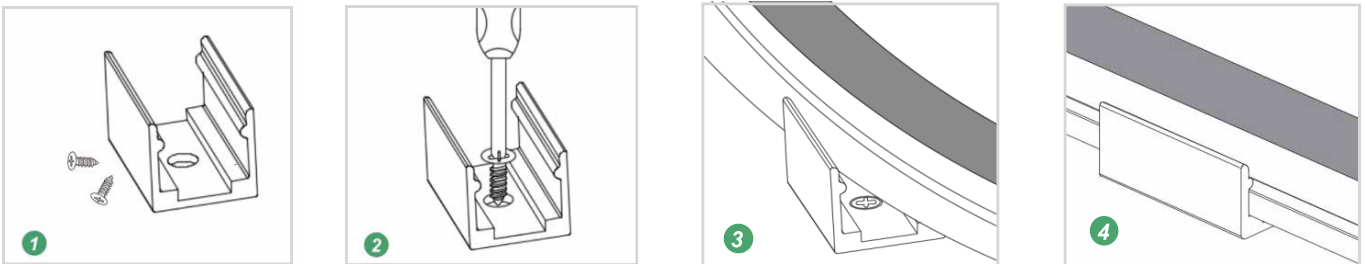


Installation Method

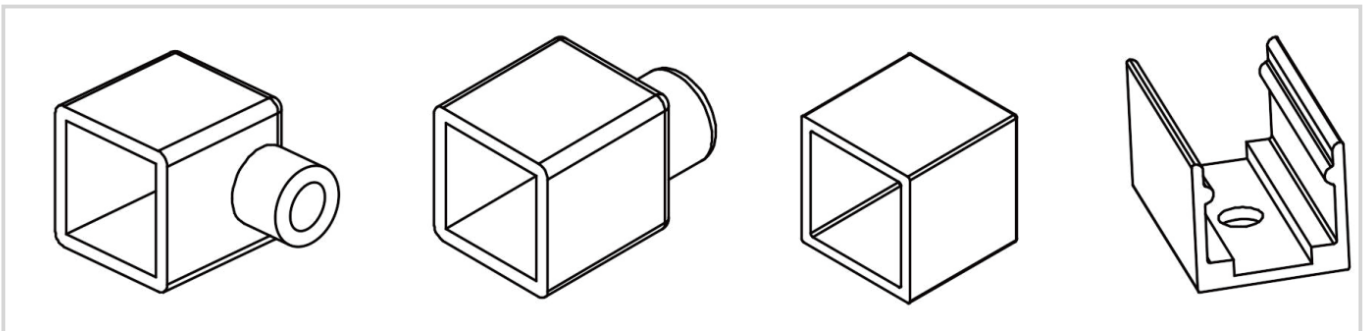
Shear Mounting



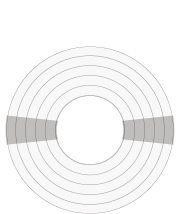
Accessories installation



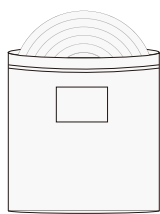
Mounting Accessories



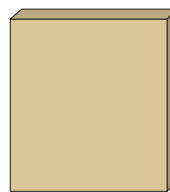
Packing information



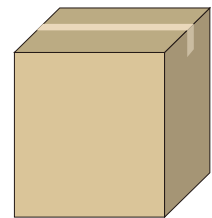
5 meters per roll



One roll per antistatic bag



2 Bag per inner box



10 Box per carton

Part Number	Outer Box Dimension (mm)	Inner Box Dimension (mm)	Quantity Per Carton (m)	Net Weight (kg)	Gross Weight (kg)
SE120JC3-G1212	L365*W650*H390	L350*W350*H35	100	16	19.6

Given the packing manner difference, the actual packing information is subject to that for the real products.

Instructions

- 01) Disassembling or modifying the product is not allowed.
- 02) Installation with power on is not allowed.
- 03) Any organic solvent chemical is not allowed.
- 04) Isolation and corrosion prevention on all wiring points and wire ends.
- 05) Make sure the power wire is big enough and ensure the voltage and connection are all correct before powering on.
- 06) Installation and maintenance should be done by professional staff.
- 07) The power wire between the power supply and LED strips should be less than two meters to keep the same brightness on all parts.
- 08) Do not power on during installation or assembly of the light strip, to avoid short-circuiting and burning out of the light strip due to misoperation during the operation.
- 09) The lamp beads can only be powered on when they are connected, installed, and correct.
- 10) When installing, try to avoid excessive bending and twisting of the light strip, so as not to damage the conductive components and cause defects.
- 11) The LED flexible light strip can only be cut at the place where the cut mark is printed on the light strip. Cutting at other places will damage the circuit of the light strip and cause some lamp beads to not light up.
- 12) Only two sections of LED flexible light strips with the same specification and voltage can be connected in series, and the total length cannot exceed the maximum cascade length.
- 13) The minimum bending diameter of this product: >100mm.

Declaration

- 01) To ensure the safety, the broken wires need to be replaced by the manufacturer or the service agent, or by the qualified staff.
- 02) The given data in the specification is the laboratory data, there may be discrepancy found in the actual products.
- 03) The given drawings in the specification are only for reference, there may be discrepancy found in the actual products.
- 04) The products are subject to change without prior notification.



Official Website



WeChat Public

SHENZHEN LEADBEYOND LINEAR LIGHTING CO., LTD.

Tel: +86-755-83056231 info@leadbeyondled.com www.leadbeyondled.net www.leadbeyondled.com

Company Address.: 28F, Luban Building, Hongli West Road, Futian District, Shenzhen 518034, China

Factory Address: 3F, 4F and 6F, Buiding A&B Xinyongfeng Industrial Area, Yingrenshi Village, Shiyan Town, Bao'an District, Shenzhen 518108, China